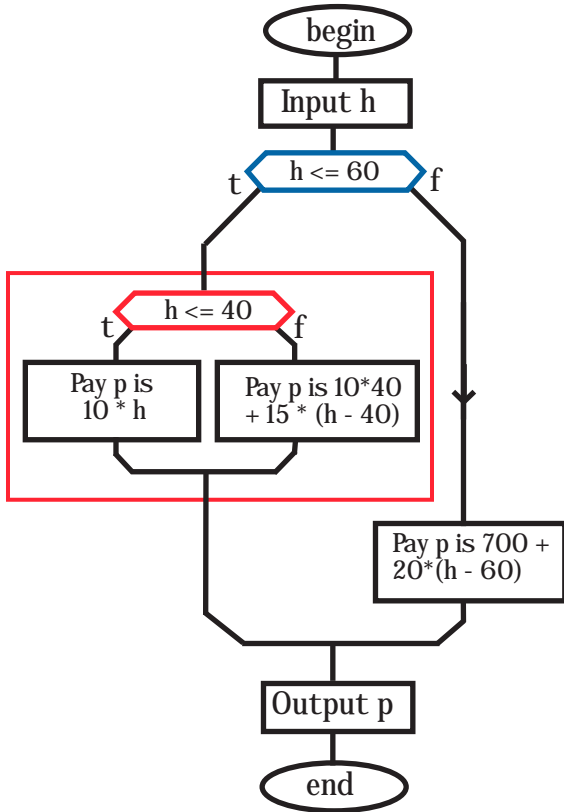


### Extended Pay: many ways



-- Does Gross Pay extended  
 -- Name Ann Onymous

Boxes hours, pay ofType int

Output "Enter hours "  
 Input hours

**If** (hours <= 60) then

**If** (hours <= 40) then  
 Set pay = 10 \* hours

**Else**  
 Set pay = 10 \* 40 +  
 15 \* (hours - 40)

**EndIf**

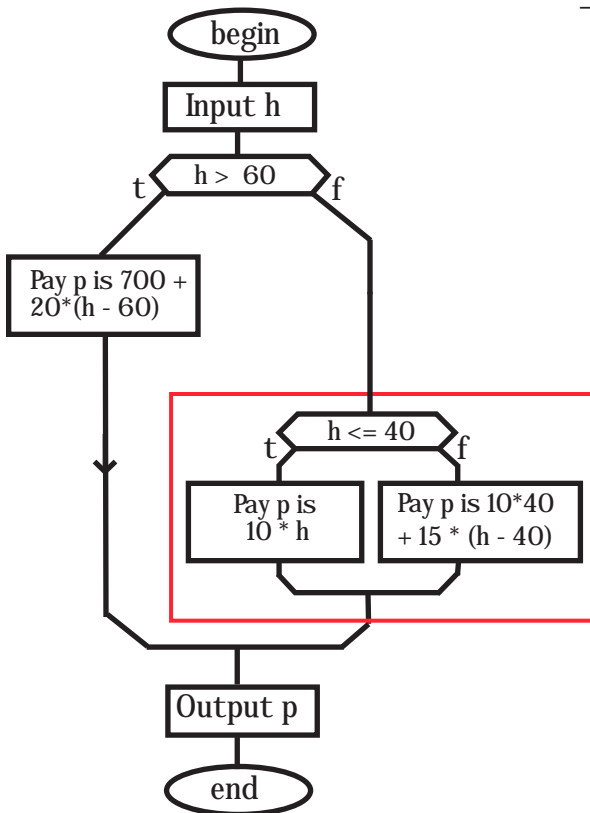
**Else**

Set pay = 10 \* 40 + 15 \* 20 +  
 20 \* (hours - 60)

**EndIf**

Output "The gross pay is "  
 Outputln pay

### Extended Pay: another way



-- Does Gross Pay extended; Again  
 -- using ElseIfs (justified)  
 -- Name Ann Oymous

Boxes hours, pay ofType int

Output "Enter hours "  
 Input hours

**If** (hours > 60) then

Set pay = 10 \* 40 + 15 \* 20 +  
 20 \* (hours - 60)

**ElseIf** (hours <= 40) then

Set pay = 10 \* hour

**Else**

Set pay = 10 \* 40 +  
 15 \* (hours - 40)

**EndIf**

Output "The gross pay is "  
 Outputln pay