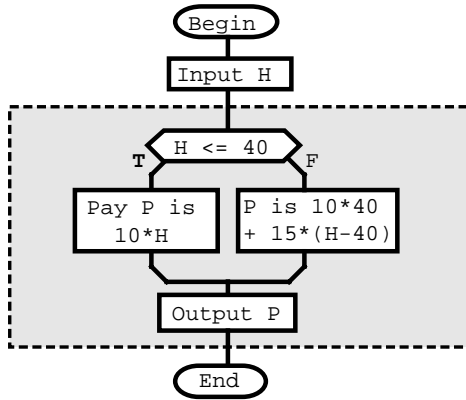
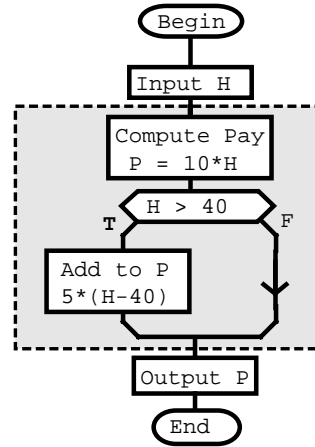


EQUIVALENT ALGORITHMS: Alternatives

1 ORIGINAL PAY

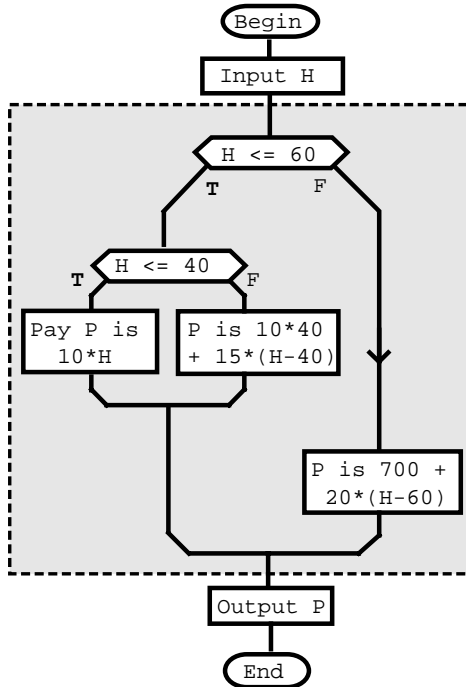


2 EQUIVALENT ORIGINAL PAY

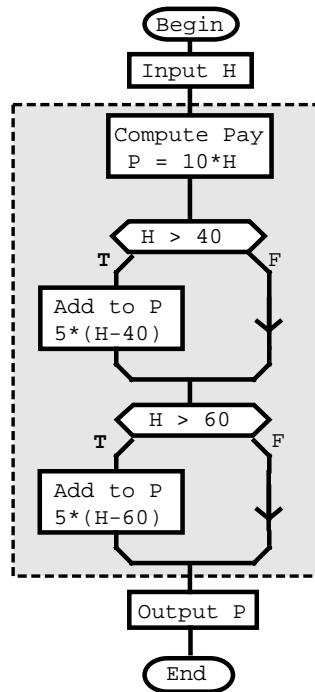


EQUIVALENT
IN
BEHAVIOR

3 EXTENDED

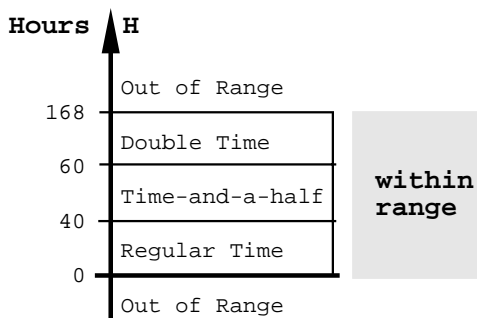


4 CASCADED EQUIVALENT



EQUIVALENT
IN
BEHAVIOR

5 RANGE OF INPUT VALUES



INPUT Data range	Test Value	OUTPUT	
		Left	Right
H > 168	200	Err	Err
60 < H <= 168	100	1500	1500
40 < H <= 60	50	550	550
0 <= H <= 40	20	200	200
H < 0	-20	Err	Err