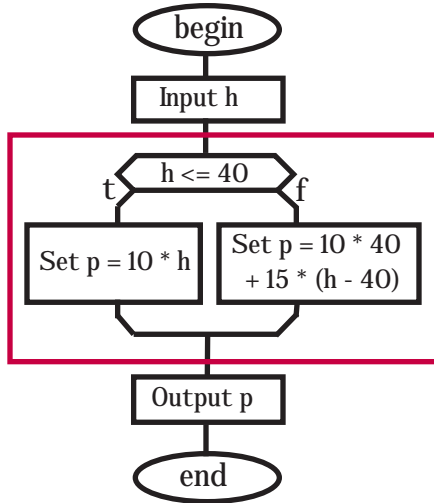
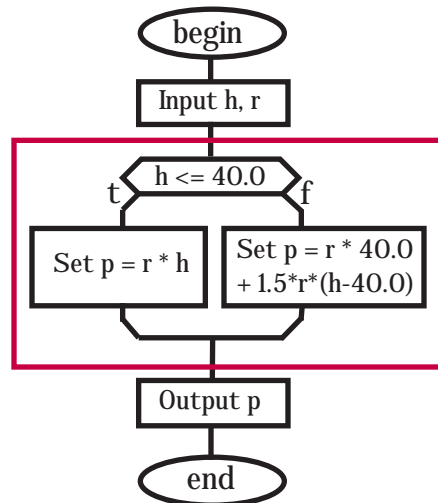


GROWING GROSS PAY

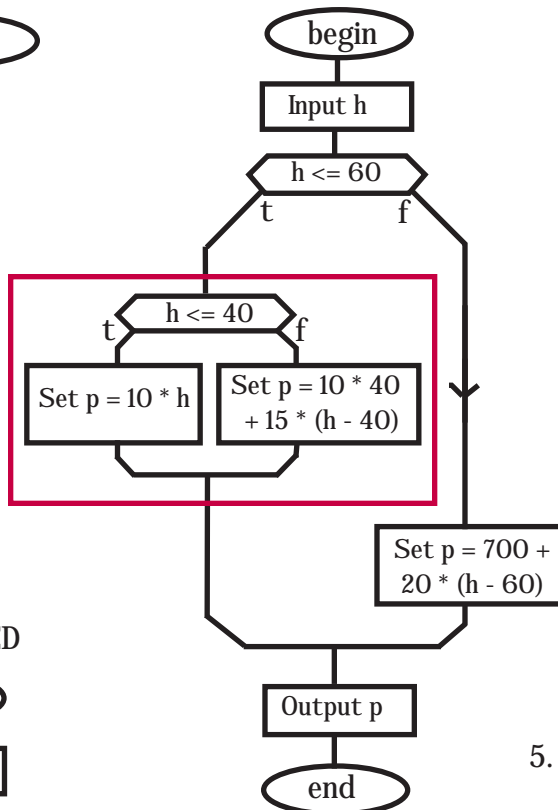
1. ORIGINAL



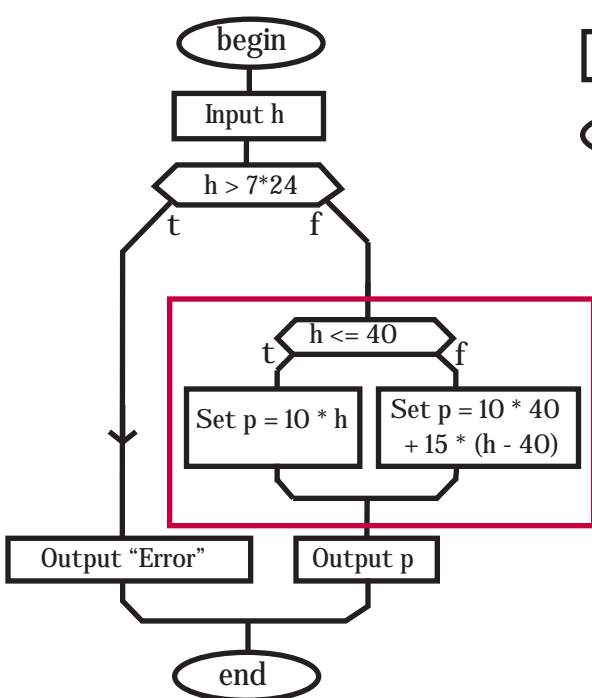
2. GENERALIZED



4. EXTENDED



3. FOOLPROOFED



5. REPEATED

