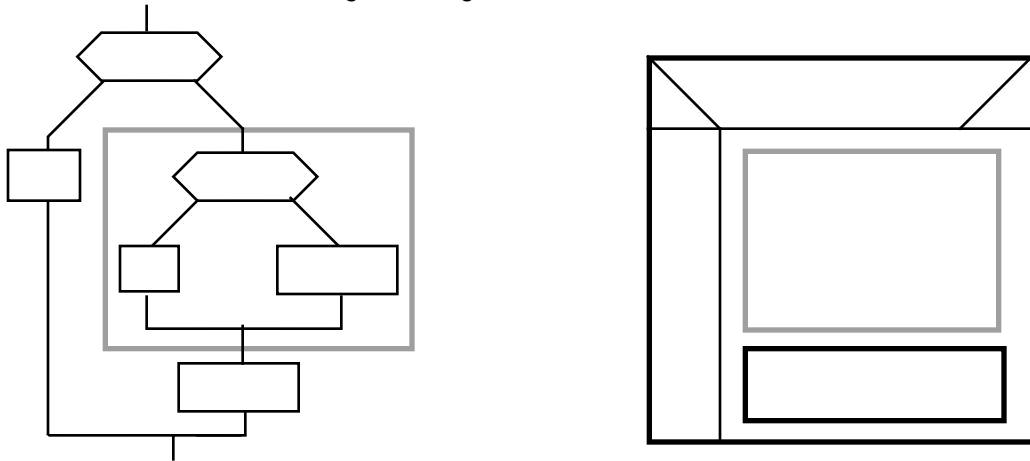
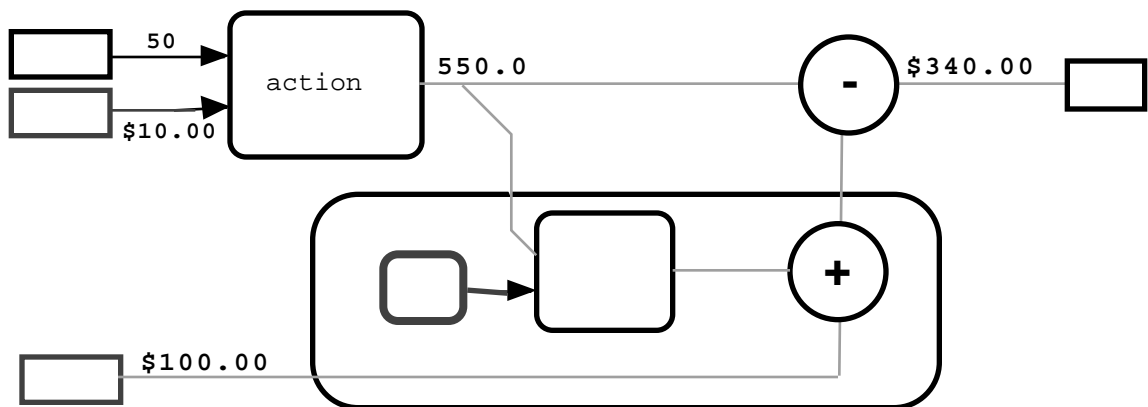


PROGRAMMING: many views (Paradigms)

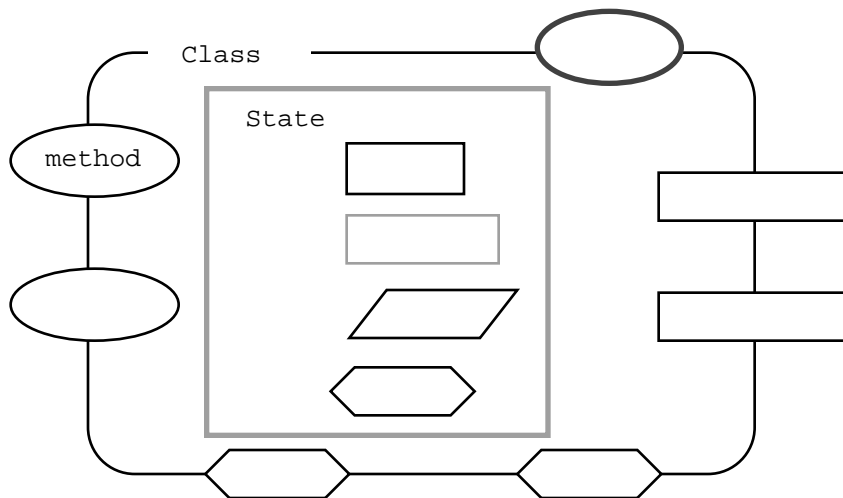
1. COP: Control-Oriented Programming, with flow charts and flow blocks



2. DOP: Data-Oriented Programming, with data flow diagrams



3. OOP: Object-Oriented Programming, with class diagrams



n. OTHERS: State-Oriented, Logic-Oriented, etc..