

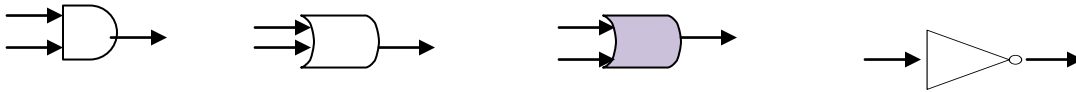
Data Storage Devices

0	False	+0.1v	no magnetic spot	amorphous surface	land
1	True	- 0.1v	magnetic spot	crystalline surface	pit

Boolean Operations

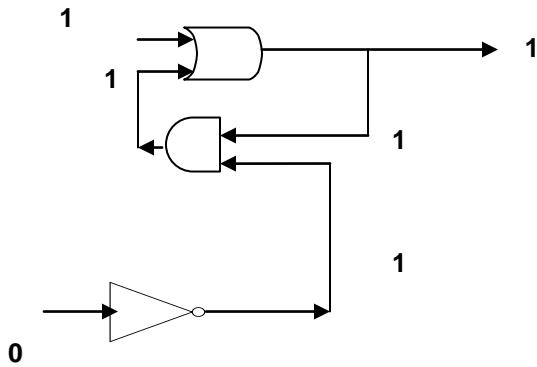
AND		OR		XOR		NOT	
0 0	0	0 0	0	0 0	0	0	1
0 1	0	0 1	1	0 1	1	1	0
1 0	0	1 0	1	1 0	1		
1 1	1	1 1	1	1 1	0		

Gates



Flip-Flop circuit

Device resulting from digital circuit design using gates as primary components



Very large-Scale Integration (VLSI) chip – wafer

Stream of Bits